

ATMOS HEATING SYSTEMS – Installation Instructions for Drain Back Tank

1. Introduction

The maximum vertical distance between the MonoSolar tank floor and the top of the solar panel is 6.0 metres. If it is more than this, no water will circulate through the panel and therefore a Drain Back Tank must be installed (unless a second pump is used).

2. Contents of package

The box contains:-

- Drain back tank
- Wall bracket & fixings
- Connector ½" BSPF x 8mm comp.
- Connector ½" BSPM x 8mm comp.
- Elbow 3/8" x 3/8" BSPF
- Drain-off tap 3/8" BSPM
- Instruction sheet

3. Installation of the drain back tank

Warning! The tank must be fixed in a vertical position onto a wall in a frost free room.

Using PFTE tape, etc install the fittings:-

- Connector ½" BSPM to top connection of tank.
- Connector ½" BSPF to right hand side connection in tank bottom.
- Elbow to left hand side connection in tank bottom. Fit the drain-off tap into the elbow.
- Attach the wall bracket at least 0.5 metre lower than the bottom of the solar panel, and at most 4.5 metre lower than the top of the panel.
- Mount the drain back tank onto the bracket.

4. Connecting the drain back tank

Dimensions of the drain back tank are given in Table 1. Only use 8mm copper pipe from the top of the solar panel to the top of the drain back tank. Using copper pipe, connect the bottom of the drain back

tank to the panel flow connection (T-piece) of the MonoSolar tank.

Warning! Only use 8mm copper pipe from the top of the solar panel to the drain back tank. If a larger pipe is used, air bubbles might rise against the flow and stop the circulation.

Warning! All solar panel pipes must have a fall of 40mm/metre or better and be insulated.

5. Filling the drain back tank (see also the MonoSolar Installation Manual)

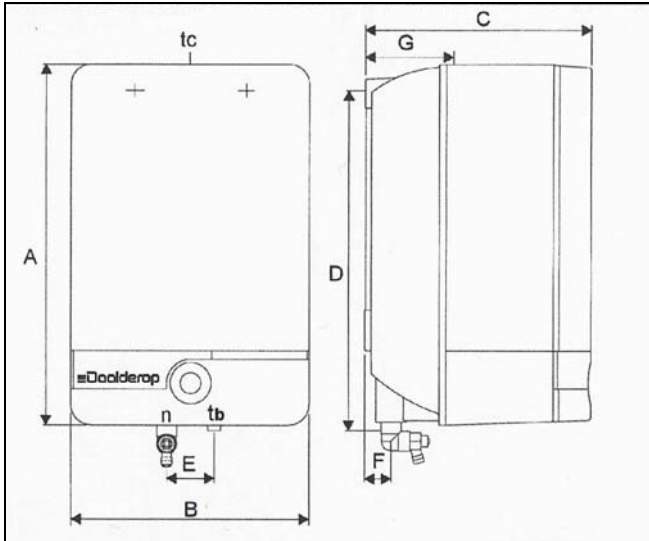
1. Remove the vent plug on the T-piece of the MonoSolar tank. Open the water level drain valve at the MonoSolar tank.
2. Connect a filling hose to the filling tap of the MonoSolar tank and open the tap.
3. Fill the MonoSolar tank up until water comes out of the water level drain valve. Close this valve.
4. Close the vent on the T-piece.
5. Open the drain-off tap on the bottom of the drain back tank, collecting any surplus water in a container. Slowly carry on filling up till water comes out of the drain-off tap. The system is now full. Close the filling tap.
6. Remove the hose and close the drain-off tap when the water has stopped draining.
7. Check all pipes/connections for leaks.

6 Maintenance (see also the MonoSolar Installation Manual)

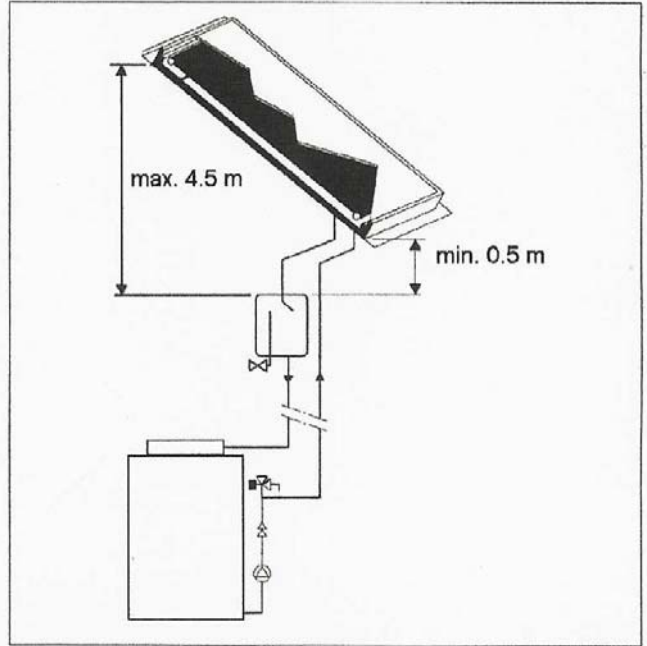
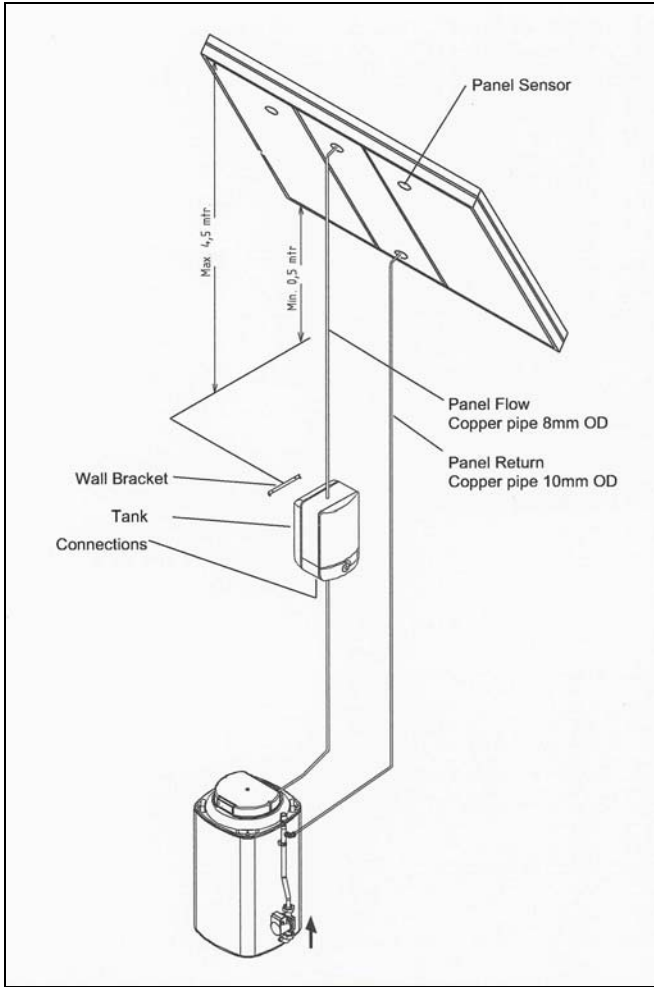
These tasks are in addition to the regular maintenance of the appliance.

Check the water level.

Repeat the fill-up procedure as described in the previous paragraph.



Reference	07.02.57.032	07.02.57.035
Capacity (litres)	10	15
A Height (mm)	450	450
B Width (mm)	300	300
C Depth (mm)	286	286
D Brkt holes/ tap	425	425
E see diag (mm)	60	60
F see diag (mm)	33	33
G see diag (mm)	140	140
tc Top connector	To panel	To panel
tb Bottom connr	To tank	To tank
n Drain-off tap		



Note

All solar panel pipes must have a fall of 40mm/metre or better and be insulated.